

Installation Manual

Separator for Sediments 50-0850, 50-0900

Material

Separator : Acid resistant Polypropylene

Couplings : 1,5" x \varnothing 50 mm HDPE

Article number 50-0850 (\varnothing 318mm), 50-0900 (\varnothing 400mm)

Optional: Stainless steel support with castors: 51-0070 (for 50-0850 en 50-0900). The support can be used to move the unit easily when filled.

Installation

The separator for sediments is supplied ready for use. Installation should be directly near or under the sink. Position the unit between the sink outlet and the waste pipe and connect it with the connection couplings (the highest connection is the inlet).

Check if the unit works properly before use.

Cleaning and Maintenance

The internal bucket needs to be emptied and cleaned regularly. To be able to take out the bucket, first remove the integrated water seal from the inlet.

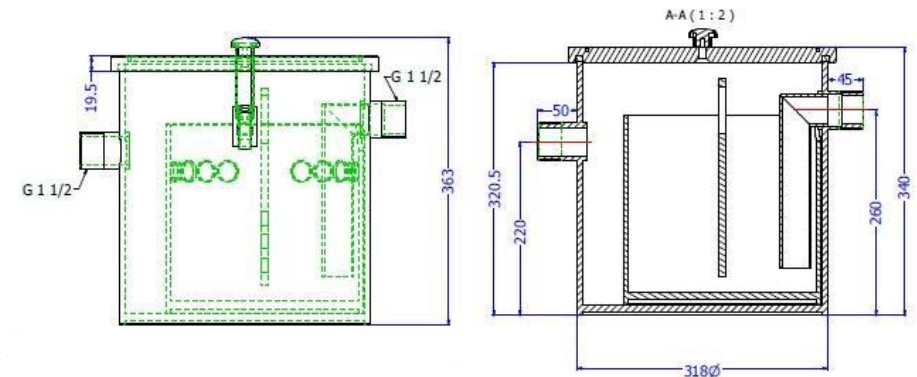
Before re-using the unit, check if the connections are tightened well, to avoid any leakage.

PLEASE NOTE: The separator is suitable for connection under 1 sink, with an outlet of maximally \varnothing 50mm.

For any questions, please call +31-38-4215522

Dimensions

50-0850



50-0900

